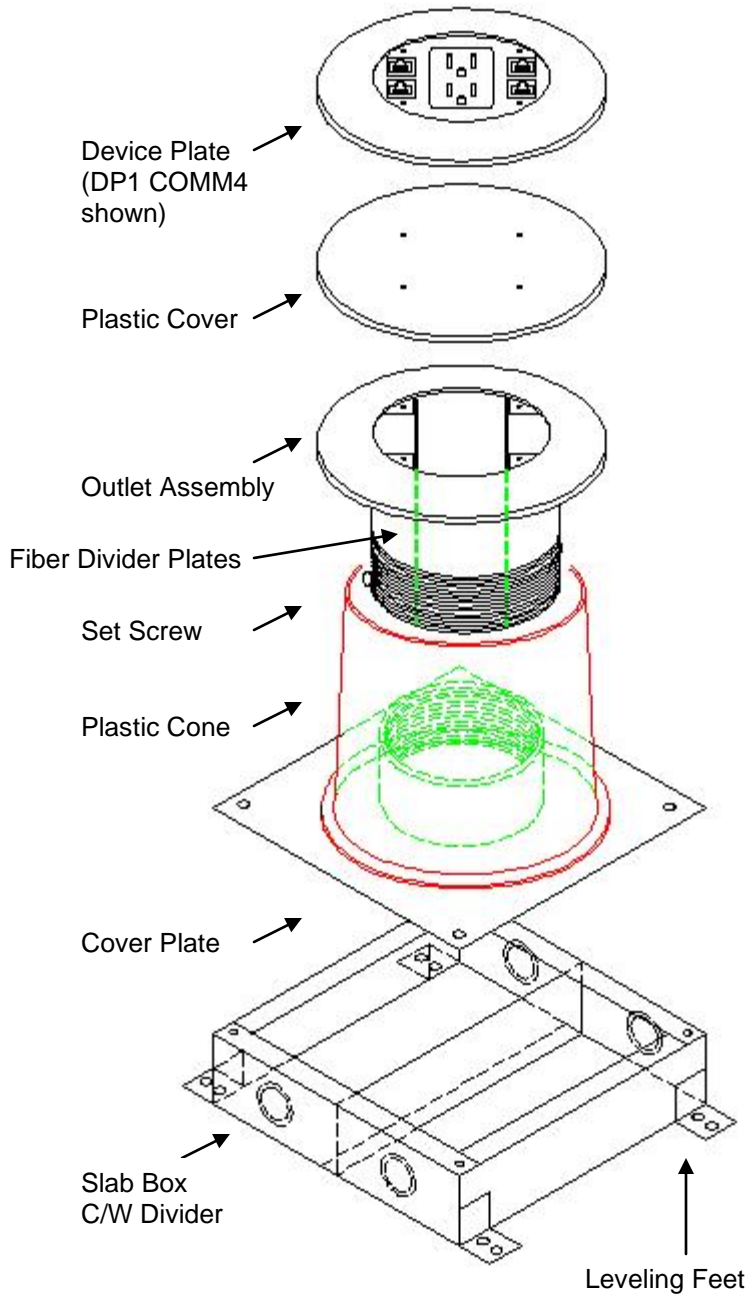




**INSTALLATION INSTRUCTIONS FOR FLUSH FLOOR OUTLETS
INSTALLED IN POURED CONCRETE USING SLAB BOX (p/n 10176-01-0)**



K.O's: 2 X ¾" - 1" COMM
2 X ½" - ¾" POWER

ROUGH IN:

1. Level the slab-box outlet assembly with the leveling feet ensuring the top of the plastic cover will be flush with the finished floor.
2. Remove outlet assembly, plastic cone & cover plate and connect conduits through the knockouts in the box (communications on one side of divider and power on the other)
3. Pull wire into or through the box leaving tails or a loop for the power and communications. Replace slab-box cover plate including plastic cone, outlet assembly and plastic cover. Plastic cone shall be cut flush with concrete and ensure plastic cover is flush with finished floor height. (Apply wire lube or grease under flange plate and on the edge of the plastic plate prior to pour).

FINISH ASSEMBLY:

4. Once the concrete has hardened remove the plastic cover. If required, thread outlet assembly to desired finish floor level. (Carpet or other floor finish is to be installed to edge of device plate for a flush installation).
5. Install and connect the keystone style data jacks where applicable (not included) and install the mounting plate.
6. Connect the receptacle(s) and re-install the mounting plate using the screws provided.
7. Cut divider plates (where applicable) to correct length and slide into place. Divider plate located in outlet assembly shall be 90 degrees to the divider plate located in slab box. (Not applicable in DP1, SYS COM or COMM-10 Configurations)
8. Install the finish plate and cover.

If there are any questions regarding installation, please call 1-888-225-2478

The above installation instructions pertain to the following NOCOM Slab Box Configurations:

DP1, DP1 COMM4, PWR2 COMM4, PWR2 COMM5, PWR2 COMM6, PWR4, PWR4 COMM4, SYS COMM, SYS NOC COMM, COMM-10, AV COMM4, and PWR2 COMM4 DB15.

Nocom Inc
105 Willowlea Rd
Carp, ON
K0A 1L0
(613) 831-8102 (T)
(613) 831-8103 (F)
Email: info@nocom.ca
Website: www.multiconnect.ca